



Chrysler UK Limited, Delaware Drive, Tongwell, Milton Keynes, MK15 8BA  
[www.chrysler.co.uk](http://www.chrysler.co.uk)

This brochure is a publication of Chrysler LLC. All product illustrations and specifications are subject to change. Chrysler LLC reserves the right to make alterations to the described models and services – at any time without prior notice or obligation – which are considered necessary for the purpose of product improvement or for reasons of design and/or marketing. Stow 'n Go®, Swivel 'n Go®, Mopar, uconnect and Sentry Key are registered trademarks of Chrysler LLC. ∞Infinity is a registered trademark of Harman International Industries, Inc. Bluetooth is a registered trademark of Bluetooth SIG, Inc. iPod is a registered trademark of Apple Inc. Fuel consumption figures are strictly generated in accordance with Testing Directive 93/116/EC; they are designed to maintain strict comparability and may not be fully representative of real-life driving. For further information, please visit [www.vca.gov.uk](http://www.vca.gov.uk). When your Chrysler vehicle has reached the end of its life, we will take it back and dispose of it in an environmentally friendly manner in accordance with the EU Directive on End-of-Life Vehicles.



CHRYSLER  
GRAND VOYAGER  
RANGE

# 25 YEARS OF THE CHRYSLER MPV – A TIMELINE OF INNOVATIONS

**1984**

First full year of MPV sales.

**1985**

Chrysler introduces a flexible seating option, the innovative "Convert-a-bed" Travel Packages in its MPV's.

**1986**

Company introduces optional light-duty tow packages for MPV's.

**1987**

One million MPV's sold and Chrysler begins exporting the Chrysler Voyager MPV for sale in Europe.

**1988**

Plymouth Voyager and Grand Voyager receive Automobile magazines "All-star" award.

**1989**

Plymouth Voyager receives Motor Trends "Top Ten New Car Buys" and Automobile magazine's "All-star" award.

**1990**

Two million MPV's sold. Chrysler Grand Voyager luxury MPV is launched.

**1991**

Plymouth Voyager receives numerous awards, including Motor Trend's "Top Ten New Car Buys," "Automobile magazine's" "All-Star" and MotorWeek's "Best MPV".

**1992**

Three million MPV's sold.

**1993**

Four million MPV's sold. Chrysler celebrates the 10th Anniversary with models introduced to mark this milestone.

**1994**

Chrysler introduces the first passenger side air bags and dynamic side impact protection.

**1995**

Five million MPV's sold.

**1996**

Chrysler introduces the first ever cab forward third generation model with more than a dozen MPV first features.

**1997**

Six million MPV's sold. Sales of the right hand drive Chrysler Voyager start in March, over 4,300 are sold in its first year of sales in the UK.

**1998**

Seven million MPV's sold. Chrysler takes the luxury model to new heights by introducing the 1999 Chrysler Grand Voyager Limited.

**1989**

Eight million MPV's sold.

**2000**

Setting a new world record for fuel economy, a Chrysler Voyager SE fitted with a 2.5 litre common-rail turbo diesel (CRD) engine travels 1,077 miles on a single tank. Chrysler MPV's are the first to offer a 6.4 inch LCD screen and wireless headphones for in vehicle entertainment.

**2002**

E-models introduced for customers price shopping for MPV's on the internet.

**2003**

Ten million MPV's sold. Chrysler celebrates 20th anniversary with special edition models to mark the milestone.

**2004**

Chrysler introduces 2005 model with more MPV first features including the innovative Stow 'n Go seating and storage system.

**2005**

Eleven million MPV's sold. Chrysler MPV's continue to gather industry accolades with 35 more awards.

**2006**

Grand Voyager is consistently one of the company's top selling vehicles outside North America.

**2009**

Chrysler celebrates 25 years of innovation and leadership in a field that it created with a limited edition 25th Anniversary model.





# 2010 GRAND VOYAGER

\*Image shown is Grand Voyager Limited in Brilliant Black Crystal Pearlcoat.

The 2010 Grand Voyager comes fully loaded with innovations that accommodate the daily run, long journeys and adventures with equal ease. With premium touches such as leather trimmed seating, woodgrain chrome accents, power opening side doors and a rear tailgate, it is no surprise that Grand Voyager is one of the most luxuriously appointed MPV's on the market.

Grand Voyager doesn't merely transport you between two points - it connects you to the things you love to do and those who share your journey.

Grand Voyager ensures you get the very best out of each journey, whether it's business or pleasure. Technology at your fingertips ensures that you're in control with touchscreen uconnect gps navigation and real time traffic alerts with 3D turn-by-turn mapping guidance and a 30GB hard drive capable of storing pictures and over 4,000 songs.\*

Grand Voyager also makes life easy with its uconnect phone, voice activated system that allows you to talk on your Bluetooth® compatible phone, hands free.\*



Looking after your passengers is Grand Voyager's priority with its next generation driver and passenger airbags, side curtain airbags for all three rows as well as driver and front passenger seat mounted side airbags. Further driver aids include Electronic Stability Programme (ESP) and Antilock Braking System (ABS) providing you with the utmost confidence on the road.



Watch, Listen, Play - Grand Voyager has it all with the optional twin screen rear DVD entertainment system with screens that can play independently of each other allowing each row of passengers to watch a DVD or play games.

Other great features include:

- An aircraft style overhead unit which incorporates ambient surround and individual LED lighting with storage pockets for games and DVD's.
- Three zone automatic climate control system with rear passenger controls, ensuring everybody travels in their own perfect climate.
- Power tailgate and dual power sliding side doors with the remote keyless entry system.
- Rear Park Assist System emits both audio and visual warnings to assist you in manoeuvring into the tightest parking space.†
- Additional peace of mind when reversing with the Rear Back-Up Camera\*

\* Standard on Limited optional on Touring  
 † Standard on Touring and Limited

Grand Voyager offers the ultimate in MPV versatility. The Stow 'n Go® seating and storage system, means you never have to remove heavy seats from the vehicle again. Simply fold second or third row seats into the floor storage bins to create up to 3,296 litres of load space for large and bulky items. Even when the seats are upright the under floor storage bins accommodate luggage, toys, food and equipment for any journey.

Seat back tables are fitted to the driver and passenger seats, providing a convenient mobile work and play area. Finally, the third row seats can be folded to take full advantage of Grand Voyager's tailgate seating feature, great for picnics and sporting events.

#### Stow 'n Go®

- Three easy steps to fold, tumble and stow the second and third row seats into the floor
- Second and third row in-floor storage bins
- Allows a flat cargo floor area with 3,296 litres of space

#### Swivel 'n Go®

- Second and third row in-floor storage bins
- Removable floor mounted table
- Two second row captain's chairs that rotate 180 degrees to face the rear

If the ample and versatile car storage still leaves you needing more, the Grand Voyager also has a 1,600kg towing capability with load levelling suspension on the Limited model.



Conversations are best held face to face by upgrading to Grand Voyager's unique Swivel 'n Go® seating and storage system\*, where the second row captain's chairs rotate 180 degrees to face a removable table and rear row seats. After gaming, dining and conversation the table can be easily removed and stored in the second row floor storage bins.



With Chrysler, peace of mind comes as standard. You would expect nothing less from a company with more than 75 years of motoring heritage. With that unrivalled history, you can be sure your Chrysler vehicle will carry you safely through any kind of driving conditions. Every Chrysler is covered by a comprehensive Manufacturer's Warranty and, in its first year, by Privilege Roadside Assistance. Grand Voyager also benefits from a 7 year/unlimited mileage anti-corrosion and 2 year/unlimited mileage paint guarantee.

Chrysler Group Financial Services provides finance and insurance products specially tailored just for you. For complete peace of mind, choose from our exclusive range of flexible finance options and competitive motor insurance. Why settle for less?

\*Optional on Limited

**LX** provides exceptional versatility, advanced safety and security features and a history of proven innovation. Standard interior features include a single disc CD/DVD player, AM/FM radio with MP3 compatibility and automatic 3 zone climate control with rear passenger controls. The standard Stow 'n Go® seating and storage system allows you to proceed quickly and easily from seven passenger seating capacity to immense amounts of usable cargo space.

**Standard features include:**

- Stow 'n Go® fold in floor seating
- Remote operated power opening side doors and rear tailgate with obstacle detection system
- Single disc CD/DVD player with AM/FM radio and MP3 compatibility
- 3 zone climate control with rear passenger controls
- Power operated front, second and rear quarter vent windows
- Seatback tray tables
- Front and rear 12v power outlets
- Stain repel fabric seating
- 2.8 CRD diesel engine with 6 speed automatic gearbox
- 16" alloy wheels
- Remote keyless entry with Thatcham Category 1 alarm and immobiliser

**Touring** offers generous standard equipment with luxury finishings such as chrome bodyside mouldings and body coloured door mirrors. The driving pleasure is enhanced with 8 way power adjusting drivers seat with manual lumbar adjustment and a leather wrapped steering wheel with audio controls. The interior benefits from additional illumination in the form of overhead ambient lighting, directional bright LED reading map lights, illuminated cup holders and front door storage.

**Upgrade to Touring to take advantage of these additional features:**

- 8 way power adjusting driver's seat with manual lumbar adjustment
- Front fog lamps
- Automatic headlamps
- Rear parking sensors
- Black side roof rails and crossbars
- Leather wrapped steering wheel with audio controls
- Cargo compartment cover



\*Model Shown with running boards, available as a Genuine Accessory

GRAND VOYAGER LX & TOURING



**Limited** delivers luxury and comfort throughout. Unique storage features include the overhead console with built in LED swivel lamps and surrounding cool toned halo lighting. High Intensity Discharge (HID) headlamps, integrated fog lamps and rear back up camera lend additional peace of mind. Limited also comes with uconnect gps satellite navigation featuring a 30GB hard drive capable of storing pictures and over 4,000 songs, whilst the sound system packs a punch with 506 watts being sent through 9 amplified speakers including a subwoofer.

The flagship model includes all this specification and more:

- uconnect gps satellite navigation featuring a 30GB hard drive
- Parkview<sup>®</sup> rear back up camera and rear parking sensors
- Luxury leather trimmed seats in dark slate grey
- Black olive messe interior accents
- 8 way power driver and passenger seats with driver's seat memory function and manual lumbar adjustment
- Heated front and second row seats
- Third row power Stow 'n Go<sup>®</sup> seating
- Chrome power folding mirrors with memory function and integrated turn signals
- Chrome door handles and corner inserts
- Chrome side roof rails with black crossbars
- 17" alloy wheels
- HID headlamps with headlamp washers
- Integrated front fog lamps
- Load levelling suspension with height control

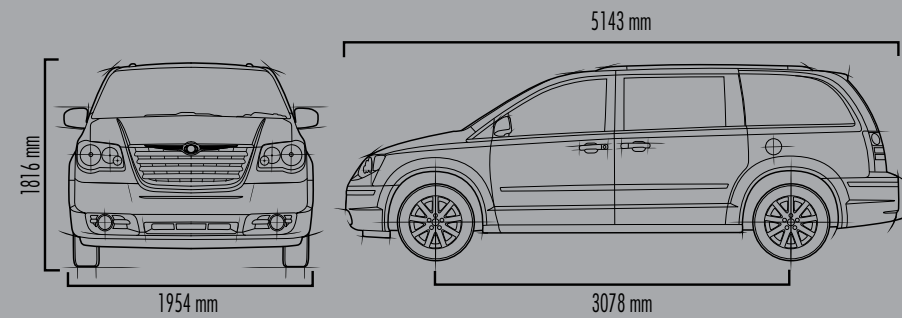
**Options include:**

- Twin DVD rear entertainment pack
- Swivel 'n Go<sup>®</sup> rear seating



## Technical Specs

	Grand Voyager 2.8 CRD LX	Grand Voyager 2.8 CRD Touring	Grand Voyager 2.8 CRD Limited	Grand Voyager 3.8 V6 Limited
<b>ENGINE</b>				
Compression Ratio		17.5:1		9.6 : 1
Cubic Capacity (cc)		2777		3778
Cylinders		4		6
Layout		In line		60 degree V
Bore x Stroke (mm)		94.0 x 100.0		96.0 x 87.0
Valves		16		12
Power bhp/rpm		161 / 3800		190 / 5200
Torque lb ft/rpm		265 / 1600-3000		225 / 4000
<b>TRANSMISSION</b>				
Type		Automatic		
Gearbox		6		
<b>SUSPENSION</b>				
Front		Independent MacPherson strut, coil spring over gas-charged shock absorbers, stabiliser bar with isolated suspension cradle		
Rear		Twist-beam axle with coil springs, trackbar, gas-charged shock absorbers		
<b>STEERING</b>				
Type		Rack and pinion, hydraulic power-assisted		
Overall Ratio		16.9 : 1		
Steering Turns (lock to lock)		3.14		
Turning Circle (kerb to kerb in metres)	11.91		12.07	
<b>BRAKES</b>				
Front		Vented discs with ABS		
Rear		Solid discs with ABS		
<b>TYRES</b>				
Front		225/65R16		225/65R17
Rear		225/65R16		225/65R17
<b>WEIGHTS &amp; CAPACITIES</b>				
Kerb Weight (kg)		2305		2230
Gross Vehicle Weight (kg)		2775		2700
Max. Payload (kg)		470		
Max Towing Weight (kg)		1600		
Max. Roof Load (kg)		68		
Fuel Tank Capacity (Ltr)		75.7		
Luggage Capacity (2 Seats) (Ltr)		3296		
Luggage Capacity (4 Seats) (Ltr)		2054		
Luggage Capacity (7 Seats) (Ltr)		756		
<b>PERFORMANCE</b>				
0-62.5 mph (secs)		12.8		12.6
Max. Speed (mph)		115		120
<b>FUEL CONSUMPTION</b>				
EC Combined MPG (L/100km)		33.6 (8.4)		23.0 (12.3)
EC Urban MPG (L/100km)		25.7 (11.0)		15.4 (18.3)
EC Extra Urban MPG (L/100km)		40.4 (7.0)		32.1 (8.8)
<b>EMISSIONS</b>				
EU4 Compliant		Yes		
CO <sub>2</sub> (g/km)		222		294
CO		0.024		0.624
HC		n/a		0.046
Nox		0.288		0.011



16" Alloy wheel  
LX/Touring



17" Alloy wheel  
Limited

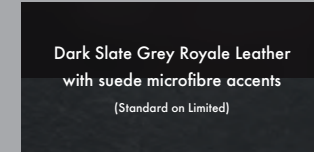
## Equipment Specifications

	LX	Touring	Limited
<b>SAFETY AND SECURITY</b>			
Air Bags - Advanced Multistage Front	*	*	*
Air Bags - Supplemental Front Seat Mounted	*	*	*
Air Bags - Supplemental 3 Row Side Curtain	*	*	*
Anti-Lock 4-Wheel Disc Brakes	*	*	*
Brake Assist	*	*	*
Door Ajar Warning Lamp	*	*	*
Electronic Stability Programme (ESP)	*	*	*
Front Fog Lamps	-	*	*
Headlamp Off Time Delay	*	*	*
Keyless Entry with Thatcham Category 1 Alarm and Immobiliser	*	*	*
Park Assist - Rear Camera	-	o	*
Park Assist - Rear Sensors	-	*	*
Power Locks	*	*	*
Rear Fog Lamps	*	*	*
Tyre Pressure Monitoring Display	-	-	*
Tyre Pressure Monitoring Warning Lamp	*	*	*
<b>EXTERIOR TRIM</b>			
Bodyside Moulding - Body Coloured	*	-	-
Bodyside Moulding - Chrome	-	*	*
Door Handles - Body Coloured & Exterior Mirrors - Black	*	-	-
Door Handles & Exterior Mirrors - Body Coloured	-	*	-
Door Handles & Exterior Mirrors - Chrome	-	-	*
Exterior Mirrors - Power, Folding, Heated	*	*	-
Exterior Mirrors - Power, Folding, Multi-Function with Memory	-	-	*
Grille - Chrome Surround and Accents	*	*	*
Rear Bumper Scuff Pad	*	*	*
Roof Rails - Black Side Rails with Black Crossbars	-	*	-
Roof Rails - Chrome Side Rails with Black Crossbars	-	-	*
Special Paint	o	o	o
<b>FUNCTIONAL / ELECTRICAL FEATURES</b>			
12V DC Front & Rear Power Outlets	*	*	*
Automatic Climate Control with 3 Zone Temperature Control & Rear Passenger Controls	*	*	*
Headlamp Levelling System	*	*	-
HID Headlamps with Self-Levelling System	-	-	*
Headlamp Washer	-	-	*
Load Levelling Suspension and Height Control	-	-	*
Portable Rechargeable Torch	-	*	*
Power Liftgate	*	*	*
Power Sliding Rear Side Doors	*	*	*
Rain Sensing Wipers	-	o	*
Rear Seatback Grocery Bag Hooks	*	*	*
Rear View Mirror - Auto Dim with Microphone	-	-	*
Rear View Mirror - Auto Dim	-	*	-
Rear View Mirror - Manual Dim	*	-	-
Rear Window Wiper/Washer	*	*	*
Speed Control	-	*	*
Trip Computer with Temperature & Compass	*	-	-
Vehicle Information Centre	-	*	*
Windows - 2nd & 3rd Row Window Shades	-	o	*
Windows - Power Front, 2nd Row & Rear Quarter Vent Windows	*	*	*

## Interior colours



Dark Slate Grey Camden Cloth with  
Stain Repel Seat Fabric  
(Standard on LX and Touring)



Dark Slate Grey Royale Leather  
with suede microfibre accents  
(Standard on Limited)

	LX	Touring	Limited
<b>INTERIOR TRIM</b>			
Analogue Clock	*	*	*
Cargo Compartment Cover	-	*	*
Door Trim Panel with Map Pocket	-	*	-
Door Trim Panel - Premium Finish	-	*	-
Door Trim Panel - Luxury With Black Olive Messe Accents	-	-	*
Easy Clean Floor Mats	-	*	*
Flip-Down Seatback Table Trays	*	*	*
Illuminated Cupholders	-	*	*
Illuminated Entry	*	*	*
Illuminated Front Door Storage	-	*	*
Instrument Panel with Woodgrain	*	*	-
Instrument Panel with Black Olive Messe Accents and Silver Bezel	-	-	*
Interior Assist Handles - Front	*	*	*
Interior Assist Handles - Rear	-	*	*
Interior Observation Mirror	*	*	*
Overhead Console	*	*	*
Overhead Storage Bins with Ambient Surround Lighting	-	*	*
Seats - 2nd & 3rd Row - Stow n' Go Seating	*	*	*
Seats - 3rd Row - Power Stow n' Go Seating	-	-	*
Seats - 2nd Row - Swivel n' Go Seating	-	-	o
Seats - Dark Slate Grey, Leather Trimmed - Heated Front & 2nd Row	-	-	*
Seats - Dark Slate Grey Stain Repel seat fabric	*	*	-
Seats - Manual Adjustment	*	-	-
Seats - Power 8-Way Driver with Manual Lumbar Adjustment	-	*	*
Seats - Power 8-Way Driver with Memory Function and Manual Lumbar Adjustment	-	-	*
Seats - Power 8-Way Passenger Seat	-	-	*
Shift Knob - Leather Wrapped	-	*	*
Steering Wheel - Luxury	*	-	-
Steering Wheel - Leather Wrapped	-	*	*
Sun Visors with Illuminated Mirror	-	*	*
Sunscreen Glass	o	o	*
Tilt Steering Column	*	*	*
Tip Start	*	*	*
<b>IN CAR ENTERTAINMENT / NAVIGATION</b>			
4 Speakers	*	-	-
6 Speakers	-	*	-
9 Amplified Speakers with Subwoofer	-	-	*
AM/FM DVD MP3 Radio (REL)	*	*	-
Dual Screen Rear Entertainment DVD System	-	o	o
Radio, uconnect gps Satellite Navigation (REW) with Bluetooth and Voice Recognition	-	o	*
Steering Wheel Mounted Audio Controls	-	*	*
<b>WHEELS</b>			
16" X 6.5" Aluminium Wheels with 225/65R16 Tyres	*	*	-
17" X 6.5" Aluminium Wheels with 225/65R17 Tyres	-	-	*
Compact Spare Tyre	*	*	*

## Exterior colours

Bright Silver Metallic	Blackberry Pearlcoat (Not available on LX)	Inferno Red Crystal Pearlcoat (Not available on LX)
Brilliant Black Crystal Pearlcoat	Dark Titanium Metallic Clearcoat (Limited only)	Stone White

# THE 2010 CHRYSLER GRAND VOYAGER

Grand Voyager is the world's best selling MPV with over 25 years of heritage. Renowned for innovation, Chrysler has introduced 65 MPV "firsts" with Grand Voyager enjoying over 260 global awards. It truly has defined the MPV segment. The Grand Voyager has 35 new or improved innovative features and an abundance of luxury equipment making it the UK's most prestigious MPV.

35 **new** or **improved** features  
25 years of **leadership**  
260 **global** awards

